



Optimizing the WAN infrastructure

Industry segment – BFSI



The customer is one of the leading Insurance firm in UK



Solution Objectives

- Bandwidth capacity scaling of WAN backbone for DR and Remote Branch Offices
- Accelerate production traffic – Talisma, Leisa, Lotus Notes, HTTP
- Enforce QoS for critical traffic flows
- Traffic monitoring and capacity planning



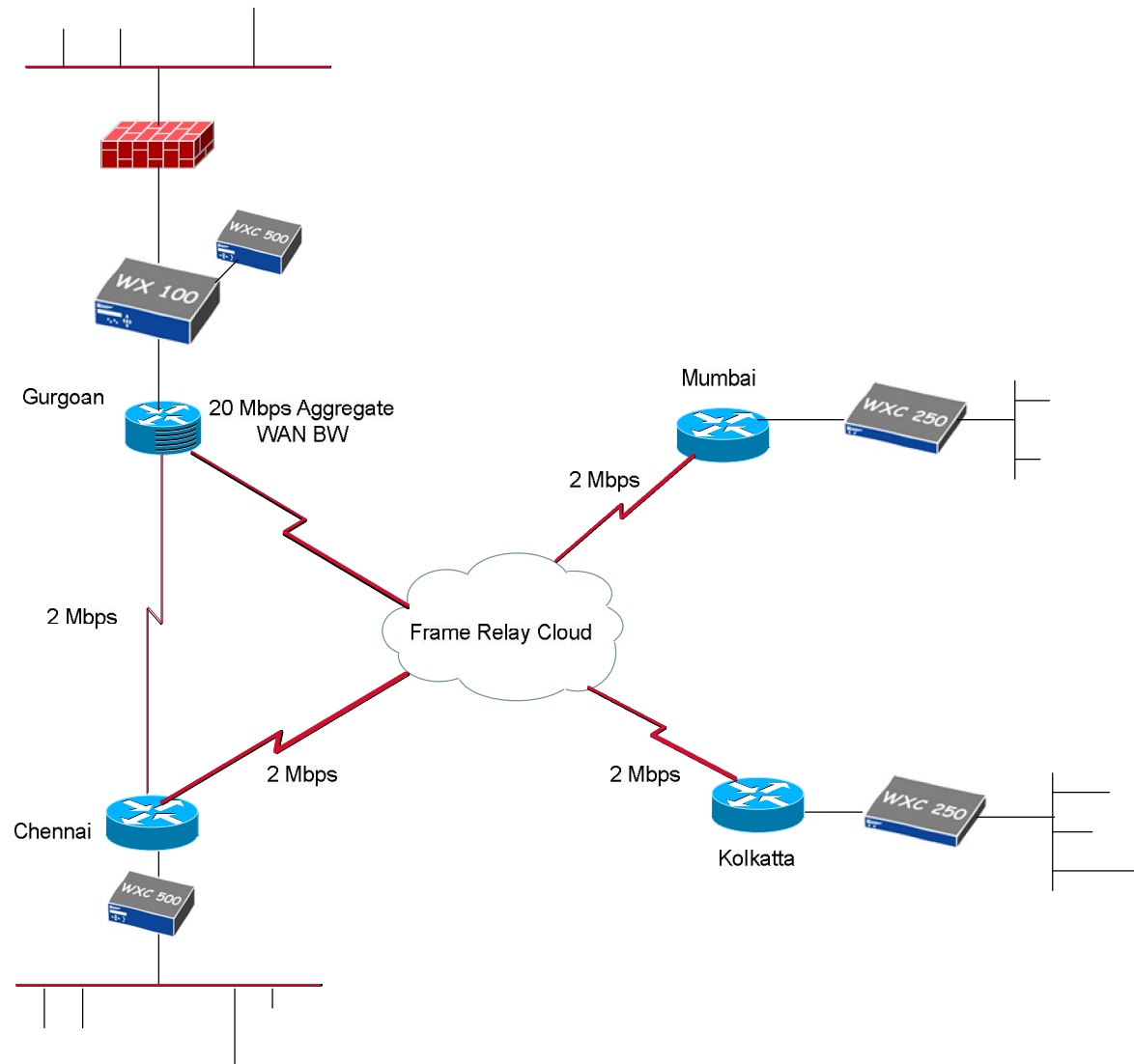
Solution Highlights

- MSR/NSM combination for compression to scale bandwidth
- Application Flow acceleration as well as Packet Flow Acceleration for enhancing application performance
- Traffic flow monitoring for capacity planning
- Used Juniper WX platforms to deliver the solution

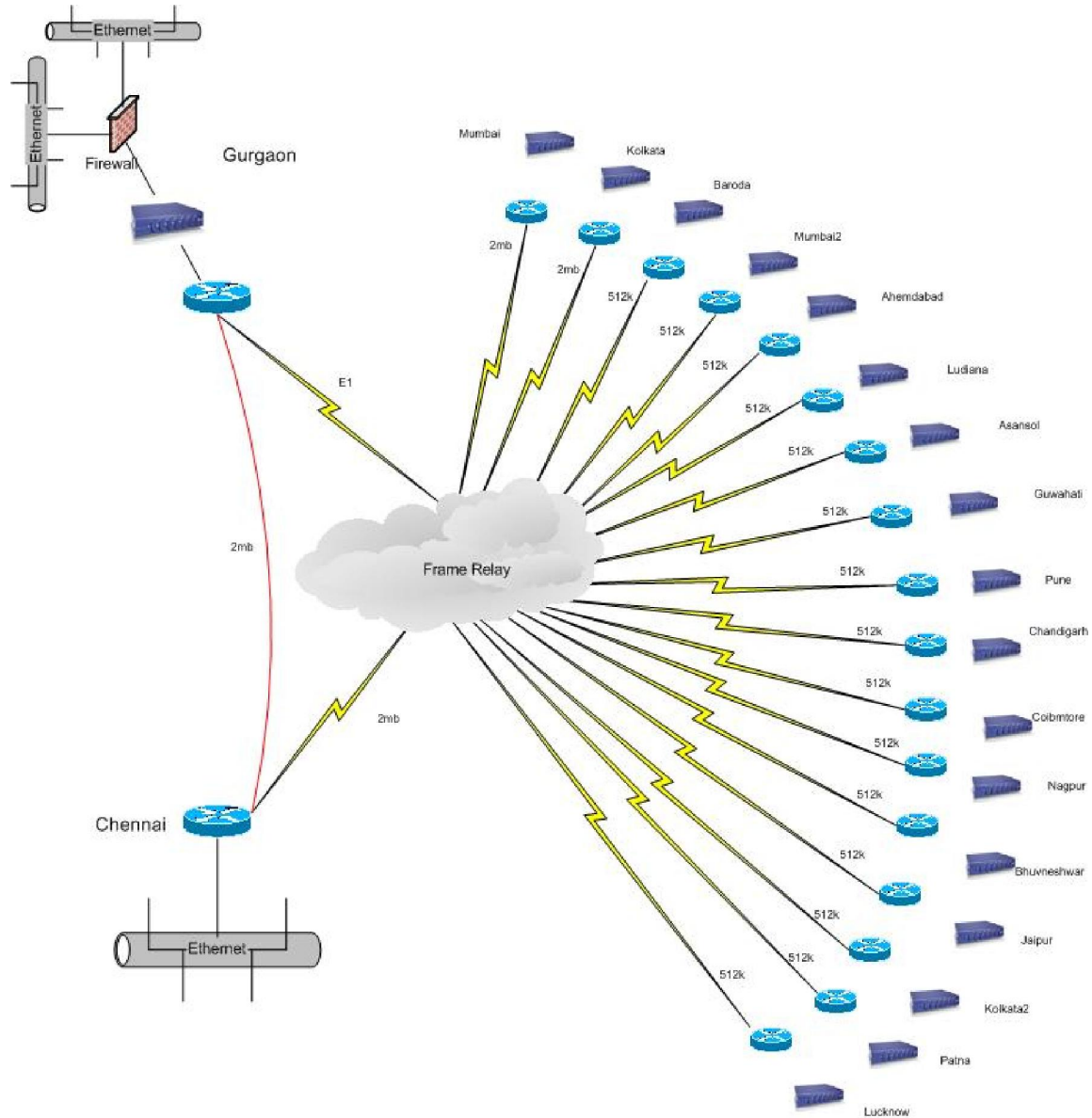


Challenges

- Critical installations at 19 locations
- QoS and Bandwidth reservations in shared bandwidth
- Complexities in Project Execution / Coordination
- Used Juniper WX / WXC platforms to deliver the solution



Core Network



Enterprise WAN



Solution Benefits

- Maximized ROI (< 6 months) in scaling IPLC capacity
- Enhanced QoS
- Improved application performance
- Better visibility and capacity planning